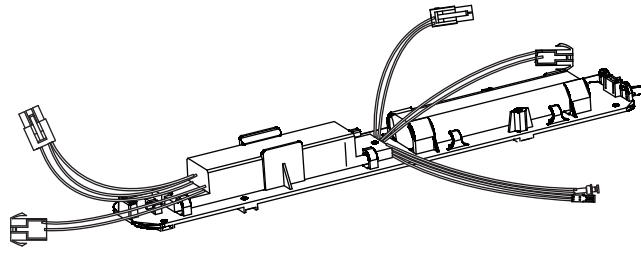


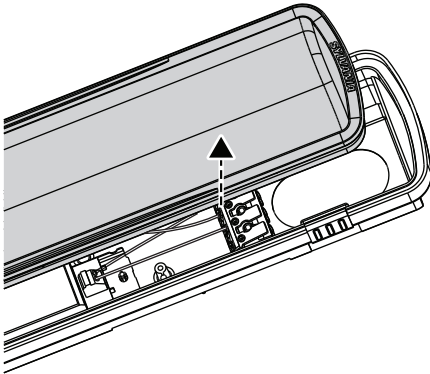
0010467 Self Test EM kit  
0010468 DALI Self Test EM kit

- Resisto 600mm
- Resisto 1200mm
- Resisto 1500mm

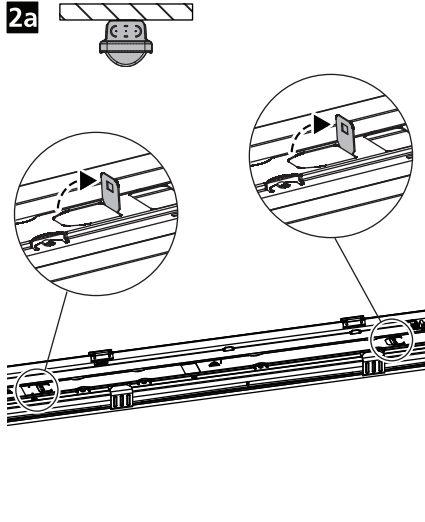


0010467 Self Test EM kit

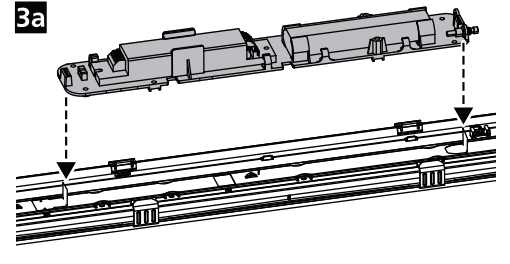
1



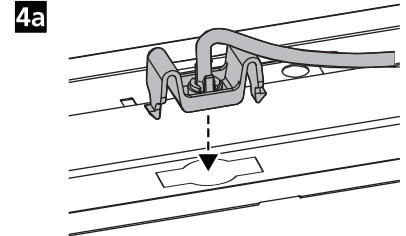
2a



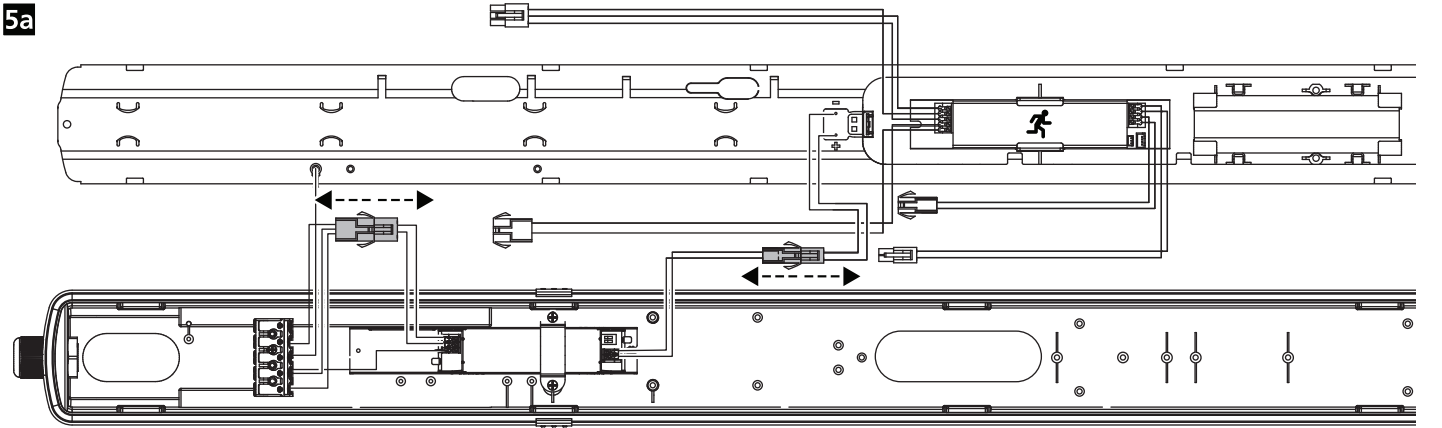
3a



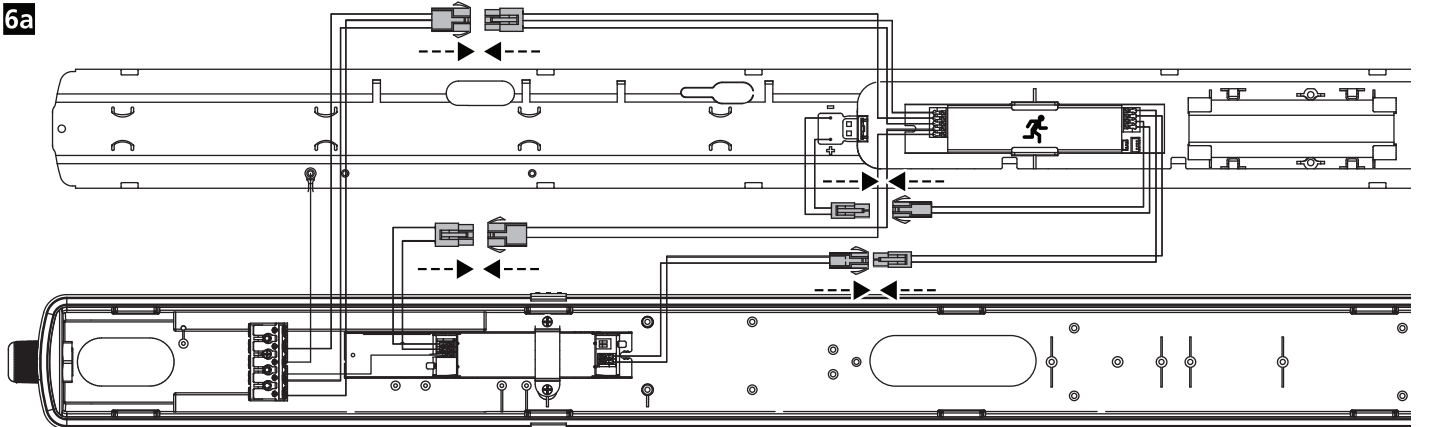
4a

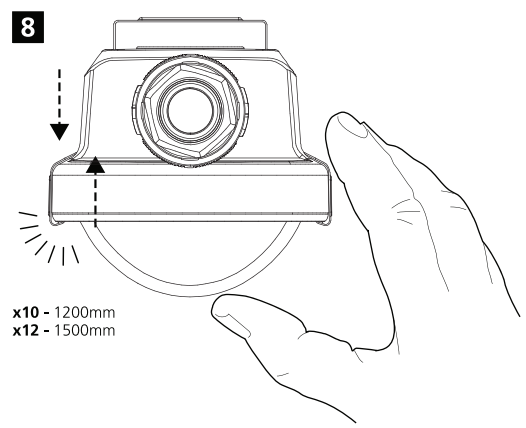
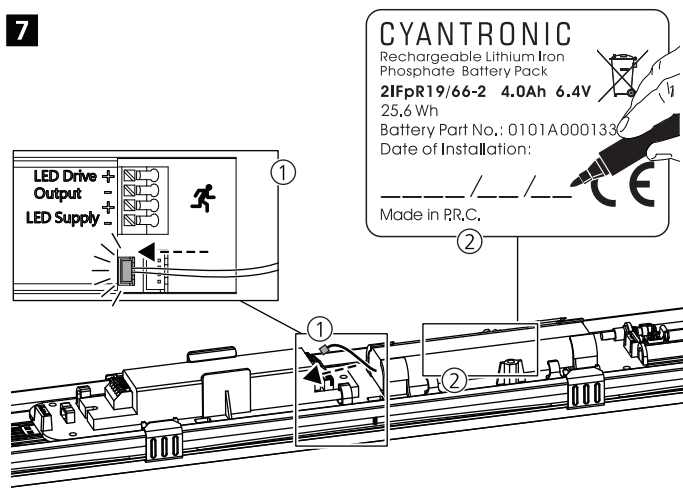
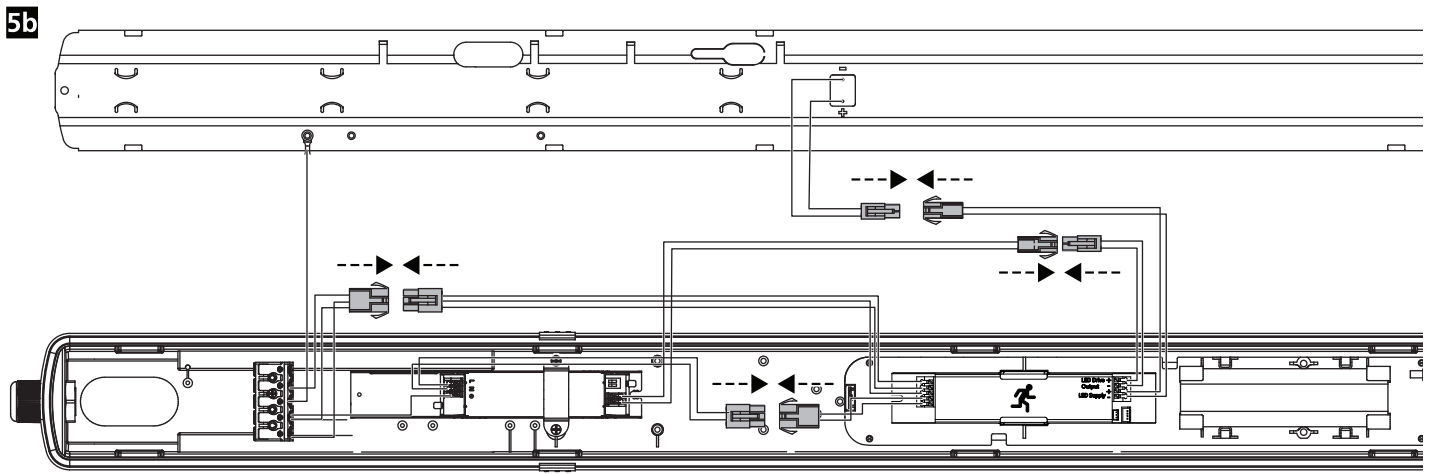
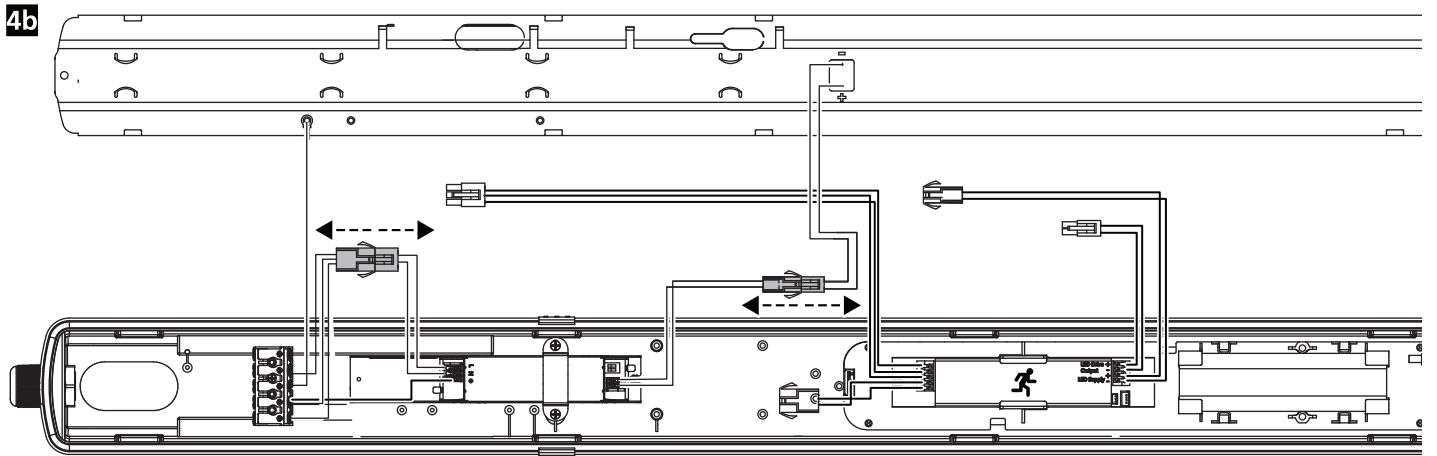
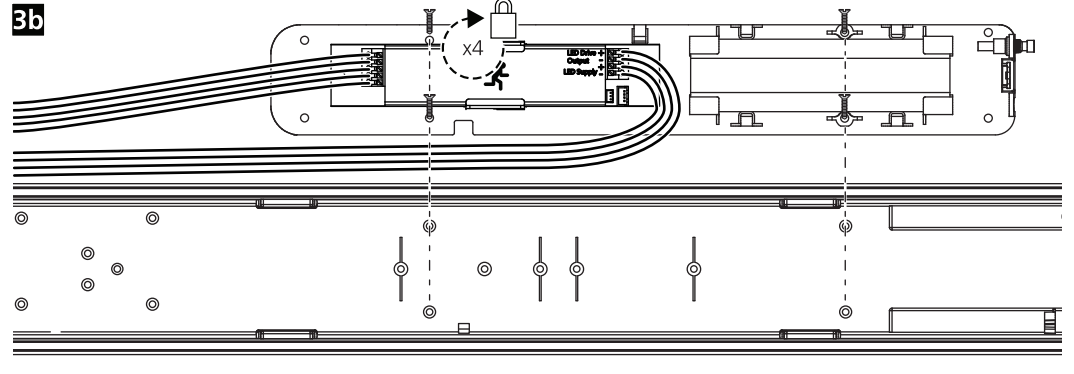
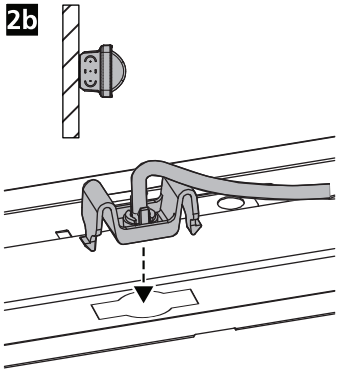


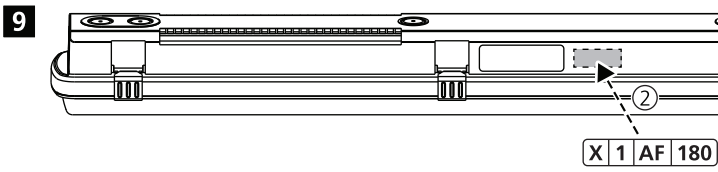
5a



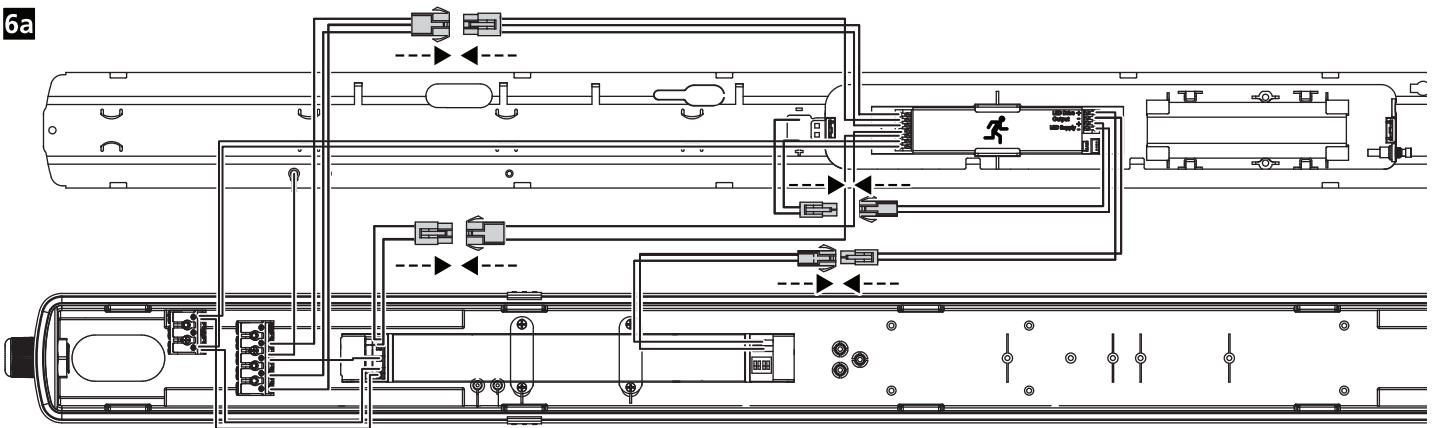
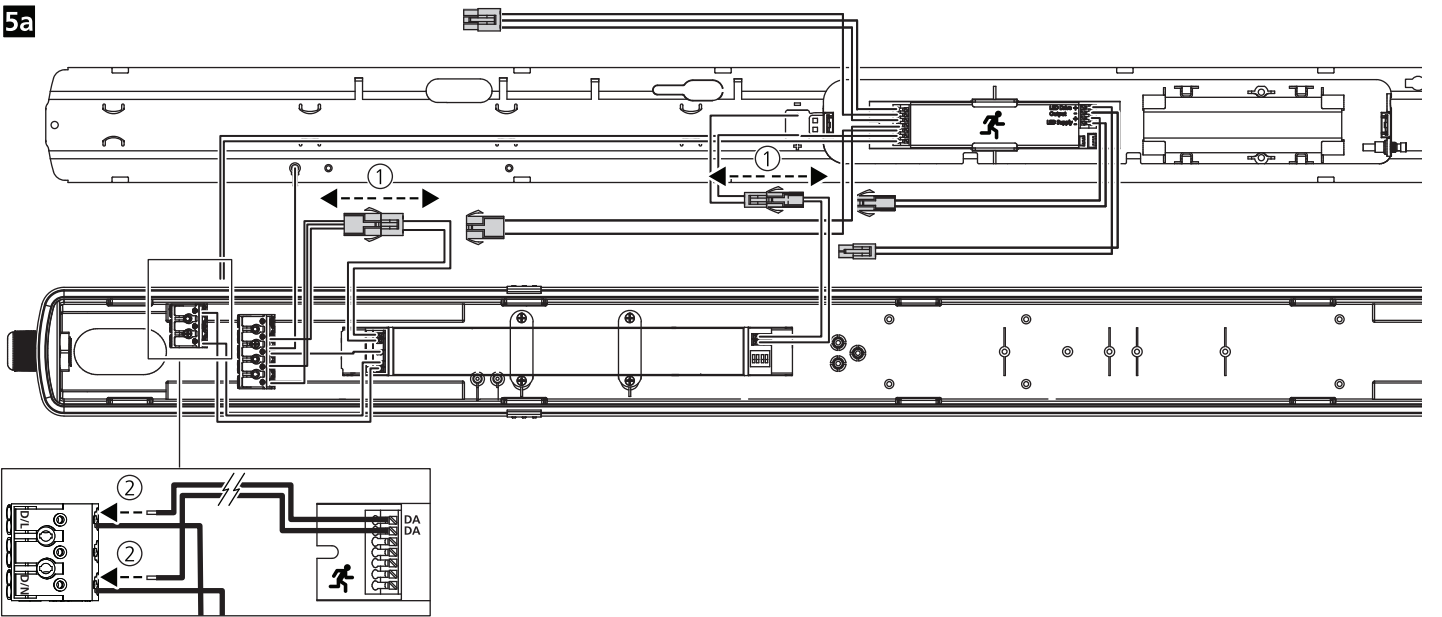
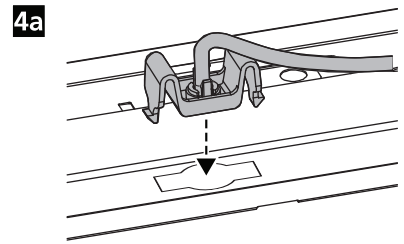
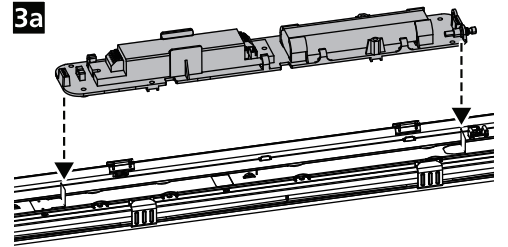
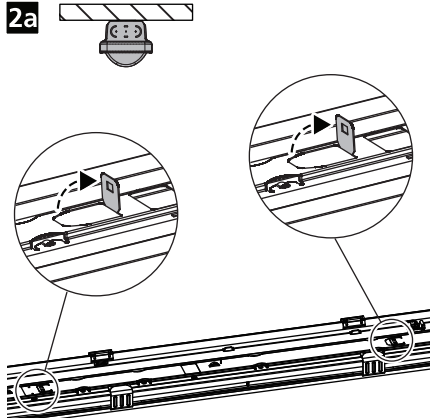
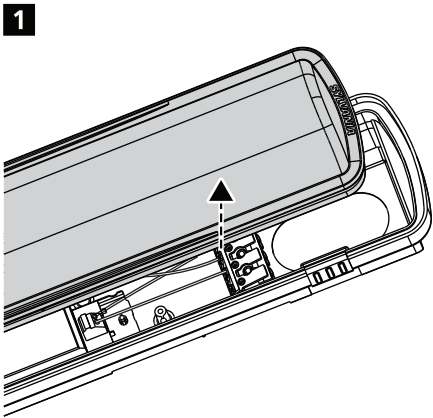
6a

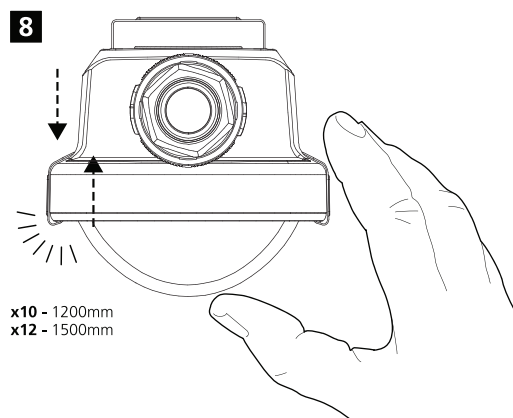
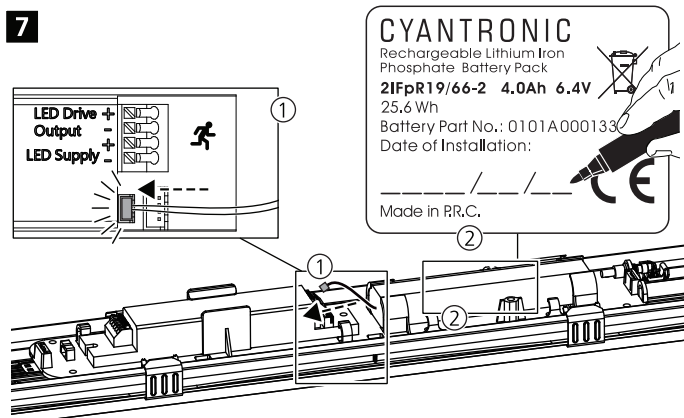
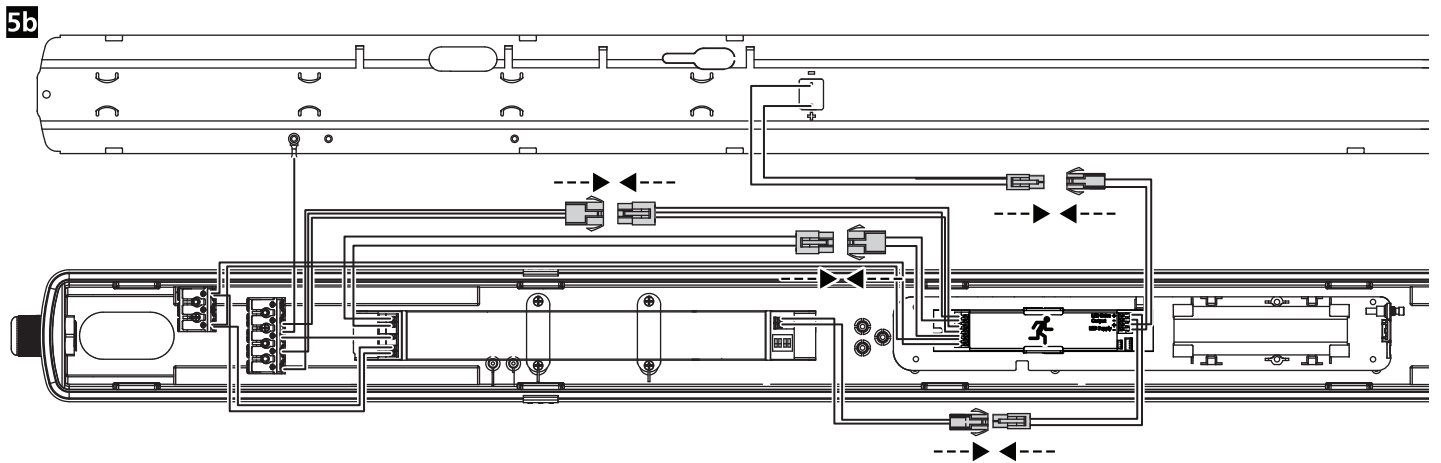
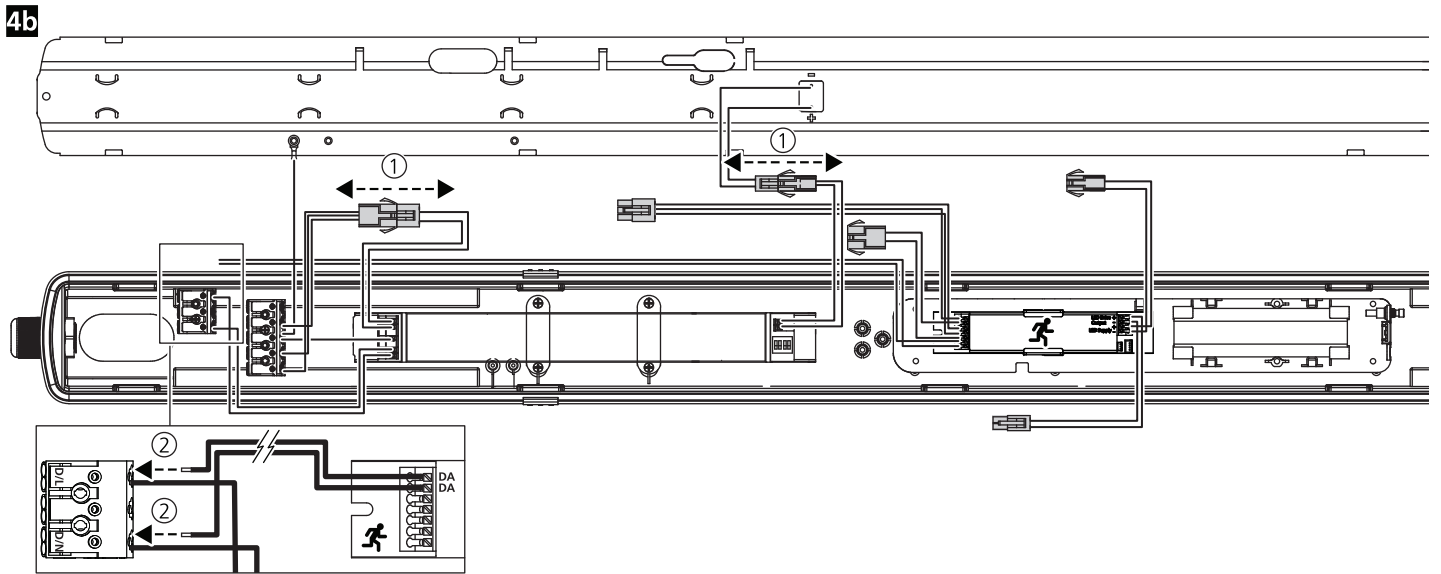
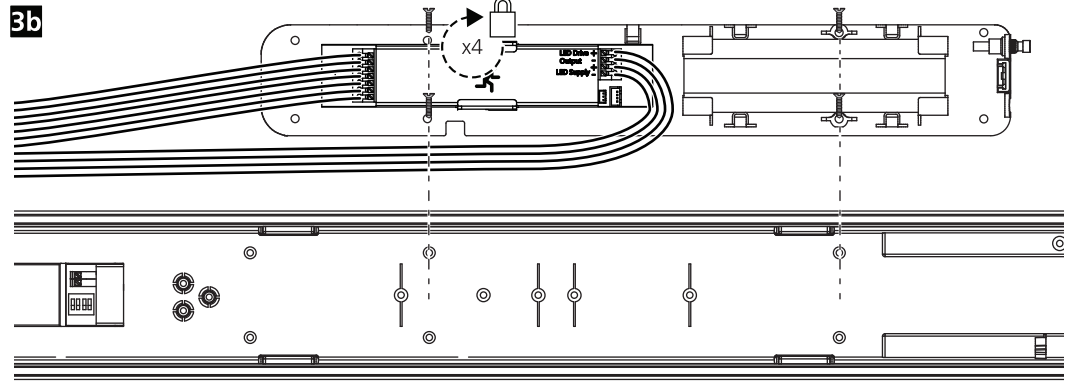
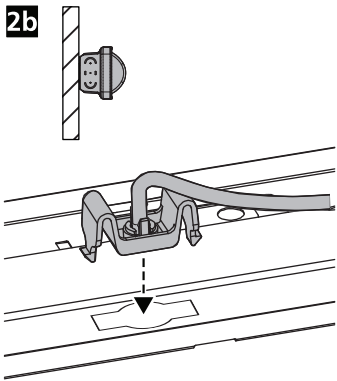


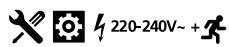
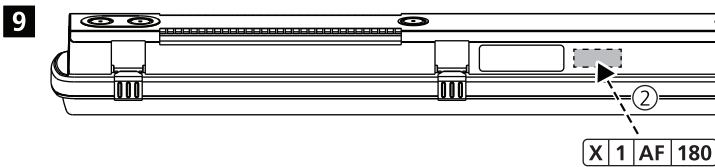




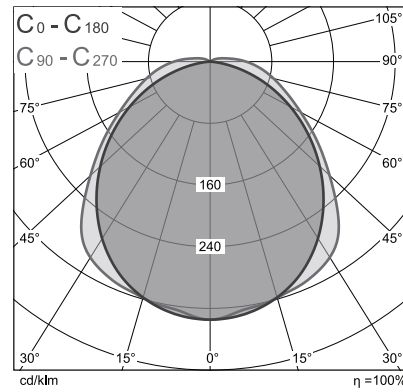
0010468 DALI Self Test EM kit



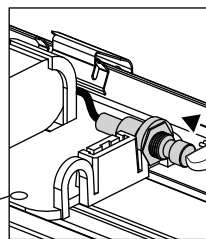
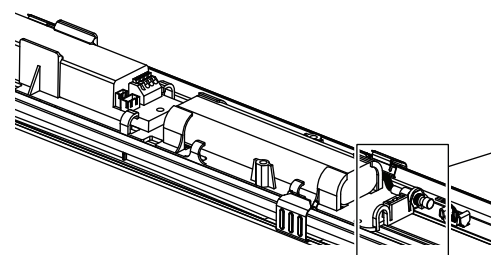
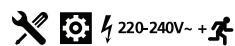




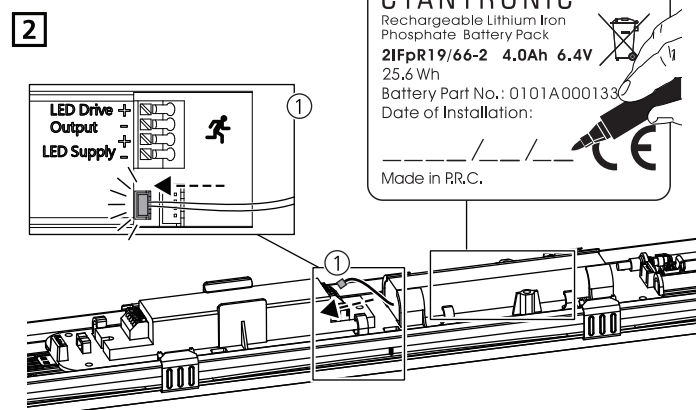
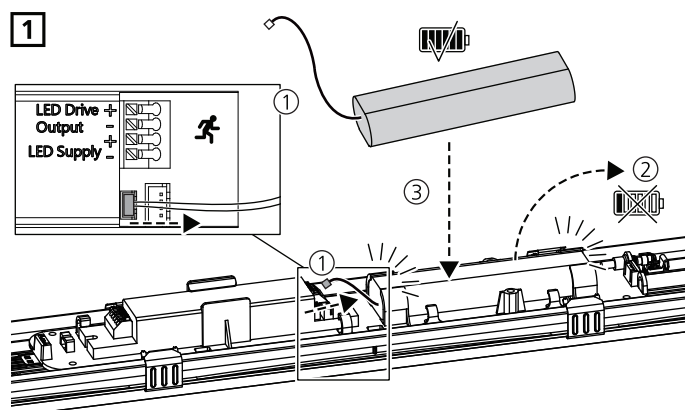
LED Colour	LED INDICATION Status	STATUS		DESCRIPTION
		Flashing		
		ON	OFF	
Green		∞	-	Battery Connected and Charging
		0.1 sec	0.1 sec	Functional Test in Progress
		0.5 sec	0.5 sec	Duration Test in Progress
Red		∞	-	Battery Fault
		0.5 sec	0.5 sec	Battery Needs Replacing
		0.1 sec	0.1 sec	Lamp Fault
Red/Green		-	∞	Emergency Mode



EM lm output = 870 lm



1-2 sec Functional Test  
 5-10 sec Duration Test



**CYANTRONIC**  
 Rechargeable Lithium Iron Phosphate Battery Pack  
**2IFpR19/66-2 4.0Ah 6.4V**  
 25,6 Wh  
 Battery Part No.: 0101A000133  
 Date of Installation: \_\_\_\_\_  
 Made in P.R.C.